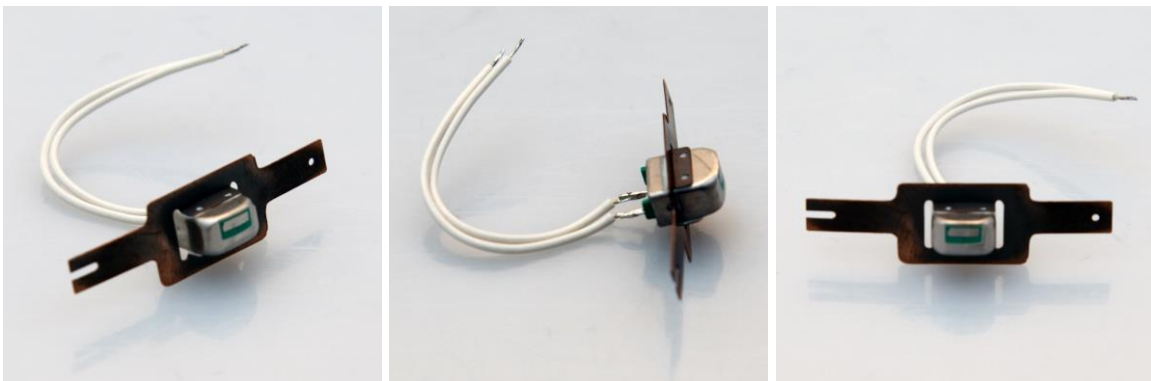
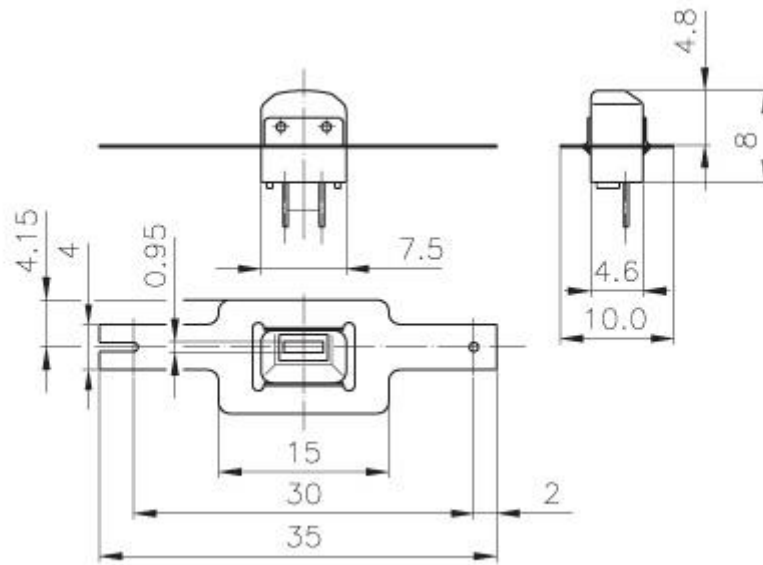


Magnetic Heads MMK 11

Mágnesfejek Magnetköpfe

Type / Típus / Typ: MMK 11



Function		reading
Inductance (1kHz)	mH	45±20%
D.C. resistance	Ω	300±15%
Reading voltage (p-p)	mV	16
Useable tape		3M777
Tape speed	cm/s	19
Gap width	μm	10
Polmaterial		Recovac BS or ferrite