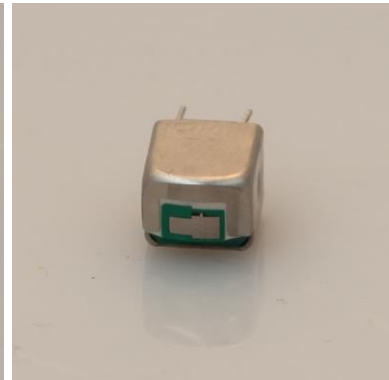
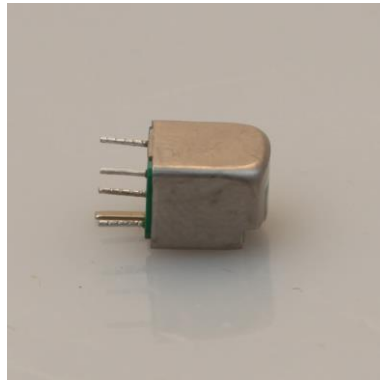
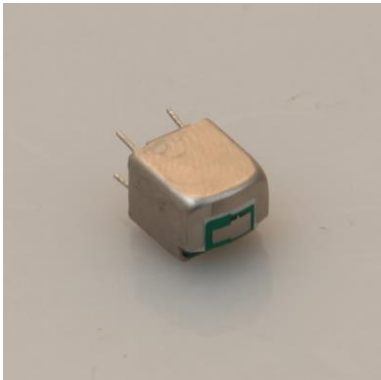
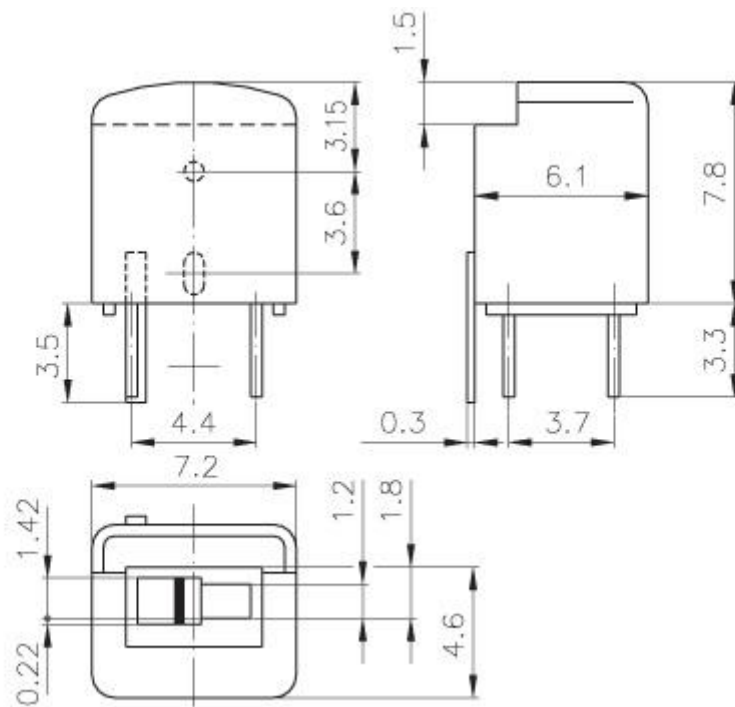


Magnetic Heads 8028

Mágnesfejek Magnetköpfe

Type / Típus / Typ: 8028



For cass. tape		
Function / monó /		recording/play-back+erase
Inductance (10 kHz, 50 mV), kombi side	mH	165± 20%
Inductance (10 kHz, 50 mV), erase side	mH	1,6±20%
Direct-current resistance, kombi side	Ω	320±15%
Direct-current resistance, erase side	Ω	23,5±15%
Play-back with BASF IEC 94/2 reference tape		
Measuring frequency	Hz	10 k, 315
Sensitivity (315 Hz)	μV	450±3,5 dB
Frequency response (10 kHz/315 Hz)	dB	6±3
Measuring the recording and play-back function with BASF IEC (R723 DG) tape		
Bias frequency	kHz	32
Bias current		induced from the erasecoil
Erase current	mA	19
Recording current	μA	60
Sensitivity (315 Hz)	μV	475±3,0 dB
Totally harmonic distortion (1 kHz)	%	max.:11
Rec. and play-back freq. resp. (10 kHz/315 Hz)	dB	-2±4
Erasedamping (1 kHz)	dB	min.:60
Shielding (125 Hz, 70 A/m)	mV	max.:5
Resistance between magn. core and case (5 V DC)	kΩ	max.:50
Insulation resistance (250 V DC)	MΩ	min.:1
Tape speed	cm/s	4.75
Pole material		Recovac BS