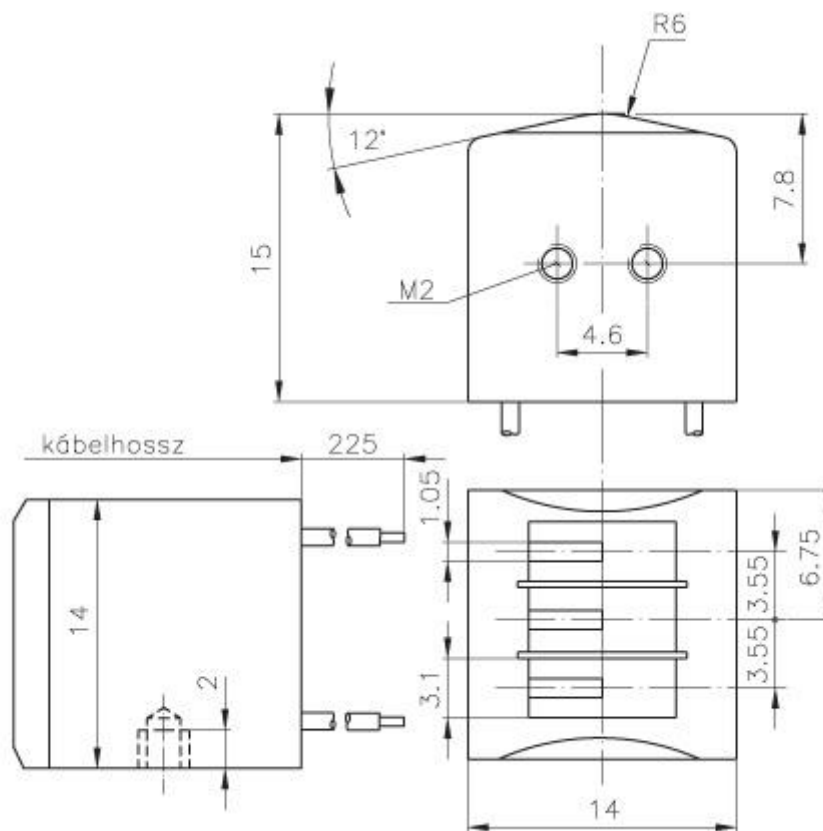


Magnetic Heads 3SL 063

Mágnesfejek Magnetköpfe

Type / Típus / Typ: 3SL 063



For cards with LOCOSHEET		
Function		writing / reading
Inductance (1 kHz) writing	mH	3
Inductance (1 kHz) reading	mH	130
Direct-current resistance writing	Ω	9
Direct-current resistance reading	Ω	180
Type of the tape		3M777
Tape speed	mm/s	190
Reference current (95 %/ 210 FRPI) (p-p)	mA	10
Resolution (420 / 210 FRPI)	%	min.:85
Reading voltage (p-p)	mV	27