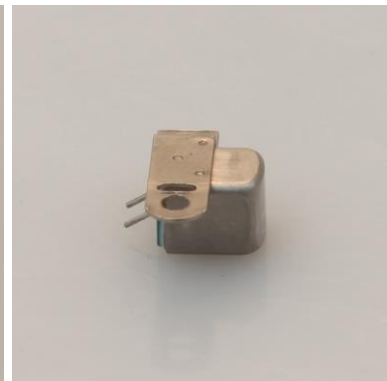
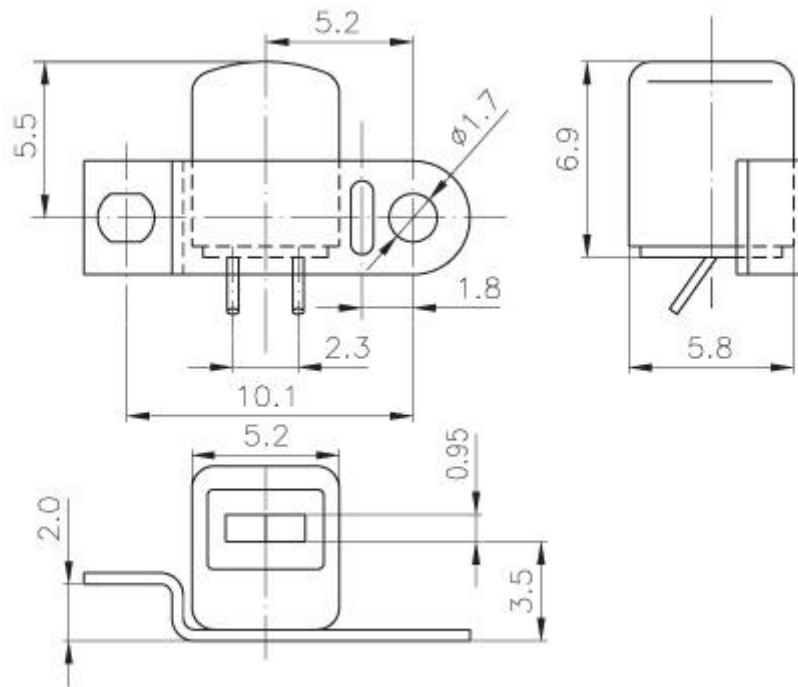


# Magnetic Heads 311

## Mágnesejek Magnetköpfe

Type / Típus / Typ: 311



<b>For cass. tape</b>		
Function / monó /		recording/play-back
Impedance ( 1 kHz )	$\Omega$	1050±25 %
Impedance ( 35 kHz )	$\Omega$	18 k±30 %
DC resistance	$\Omega$	410±15 %
Inductance	mH	140±25 %
Play-back with BASF IEC 94/2 reference tape		
Sensitivity ( 1 kHz )	$\mu$ V	950±2 dB
Frequency response ( 6,3/1 kHz )	dB	2±3
Tape speed	cm/s	4.75
Measuring the recording and play-back funktion with IEC (R723DG) tape from BASF		
Bias voltage	V	7,7±30 %
Bias current	$\mu$ A	350±30 %
Recording current	$\mu$ A	90±5 %
Sensitivity ( 1 kHz )	$\mu$ V	950±2 dB
Frequency response ( 3,15 kHz / 1 kHz )	dB	-6±3,0
Totally harmonic distortion ( 333 Hz )	%	max.:10
Magnetic screening ( 70 A/M, 125 Hz )	mV	5
Earth resistance	$\Omega$	max.:5
Insulation resistance ( DC 250 V )	M $\Omega$	min.:50
Tape speed	cm/s	2.38
Pole material		Permalloy