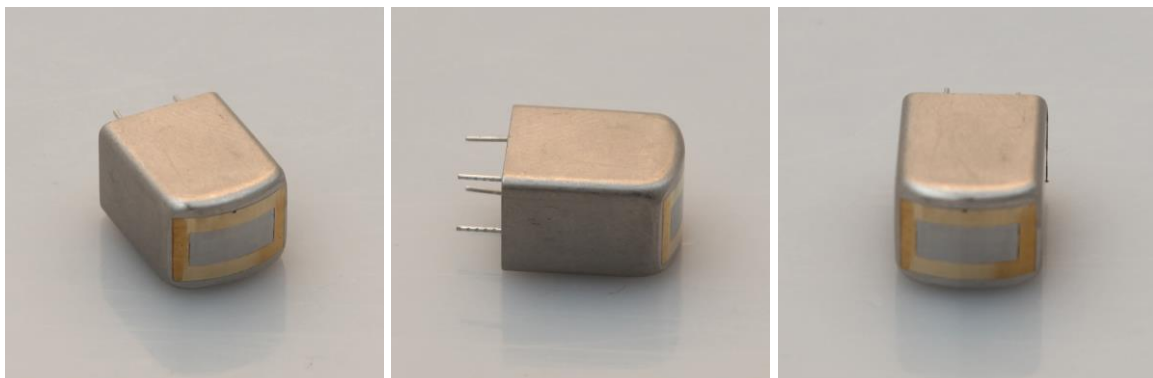
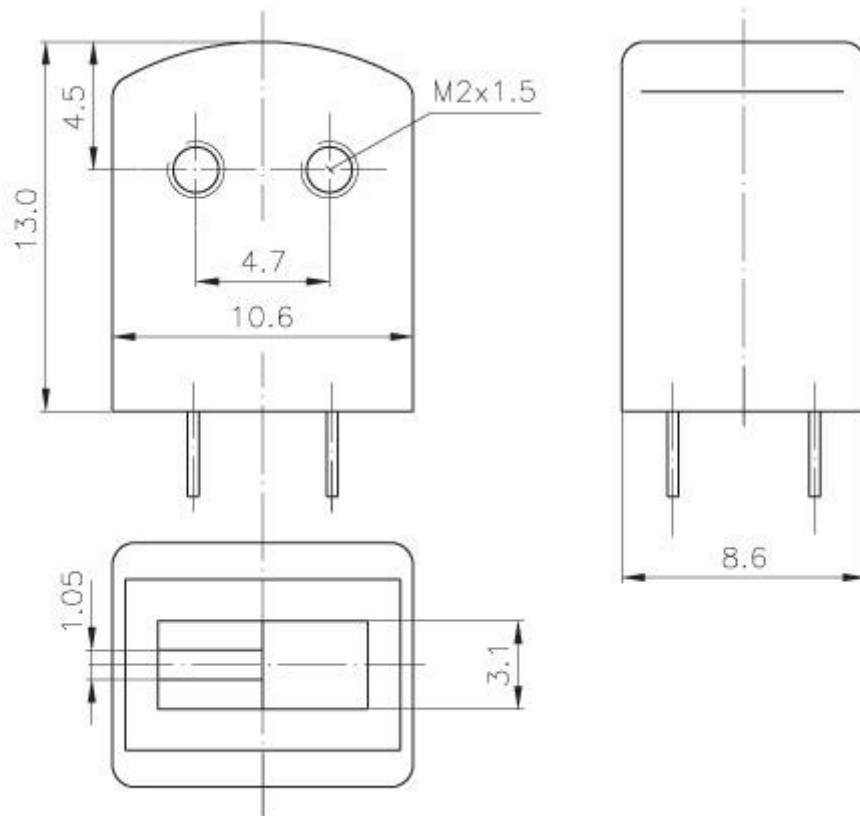


# Magnetic Heads 1R/W 053

## Mágnesejek Magnetköpfe

Type / Típus / Typ: 1R/W 053



| <b>For cards with HICOSHEET</b>    |      |                          |
|------------------------------------|------|--------------------------|
| <b>Function</b>                    |      | <b>writing / reading</b> |
| Inductance ( író )                 | mH   | 1,6±30 %                 |
| Inductance ( olvasó )              | mH   | 180±25 %                 |
| D.C. resistance ( writing )        | Ω    | 2,6±35 %                 |
| D.C. resistance ( reading )        | Ω    | 220±20 %                 |
| Writing current ( p – p )          | mA   | 400                      |
| Reading voltage ( p – p )          | mV   | min.: 15                 |
| Useable material                   |      | 3M5203                   |
| Insulation resistance ( DC 100 V ) | MΩ   | min.:10                  |
| Rate of transmission               | mm/s | 190                      |
| Pole material                      |      | Vacoflux                 |