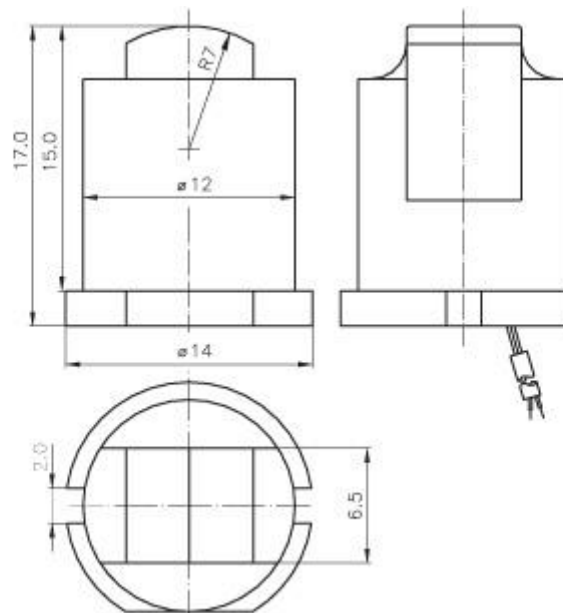


Magnetic Heads 1CW 055

Mágnesejek Magnetköpfe

Type / Típus / Typ: 1CW 055



Function		writing
Inductance (1kHz, 50 mV)	mH	70±20 %
D.C. resistance	Ω	75±20 %
Current intensity	mA	10
Useable material		3M777
Tape speed	m/s	0,68
Gap width	μm	30
Pole material		Ferrit