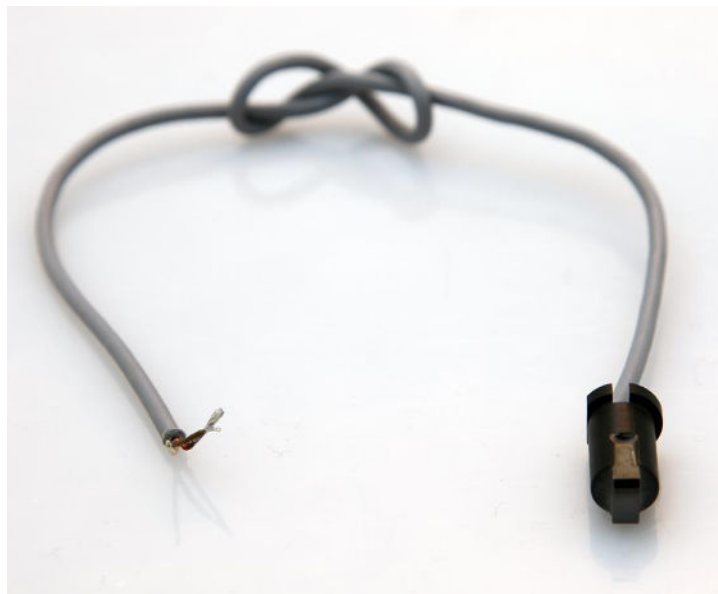
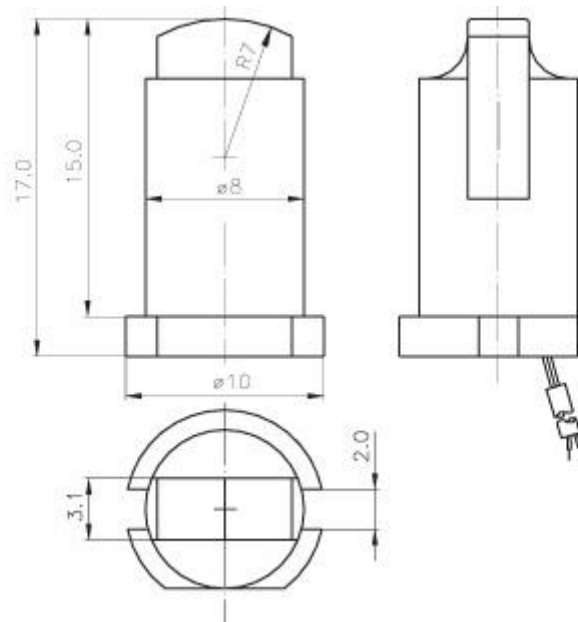


Magnetic Heads 1CR 054

Mágnesejek Magnetköpfe

Type / Típus / Typ: 1CR 054



Function		reading
Inductance (1kHz, 50 mV)	mH	200±20 %
D.C. resistance	Ω	600±20 %
Reading voltage (p-p)	mV	100
Useable material		3M777
Tape speed	m/s	1
Gap width	μm	50
Pole material		Ferrit